



ENGINEERING & PRODUCTION

# Thermoelectric Cooling Module

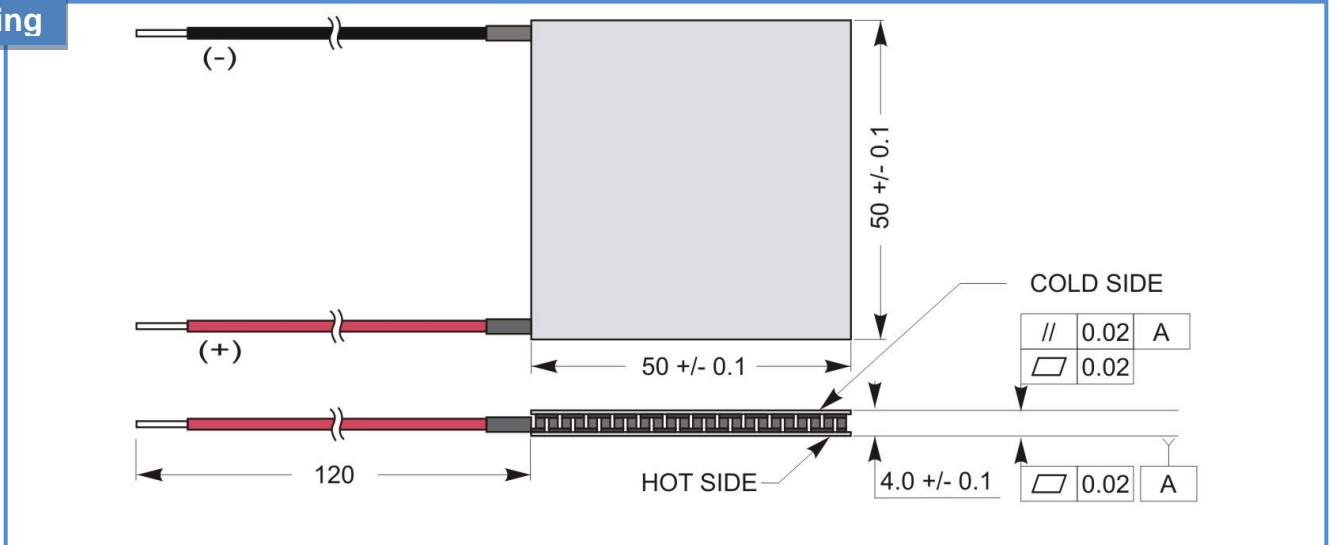
**TECB-42-42-(34.5-12.7-270)- 50-70**



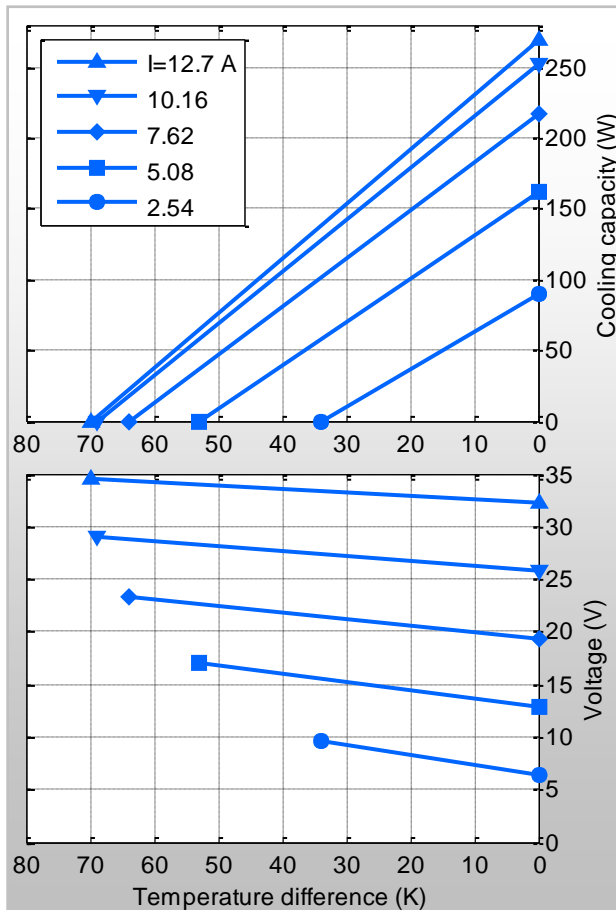
## Performance specifications

Hot side temperature Th (°C)	27	50
$\Delta T_{max}$ (°C)	70	80.2
Qmax (Watts)	270	300.5
I <sub>max</sub> (Amps)	12.7	12.7
V <sub>max</sub> (Volts)	34.5	39
Module resistance (Ohms)	1.6	1.73

## Drawing



## Performance Graphs at Th=25°C



## Performance Graphs at Th=50°C

