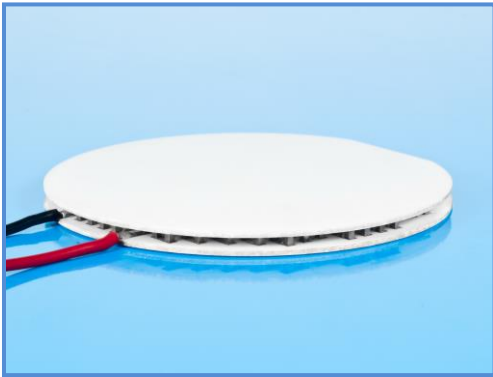




ENGINEERING & PRODUCTION

Thermoelectric Cooling Module

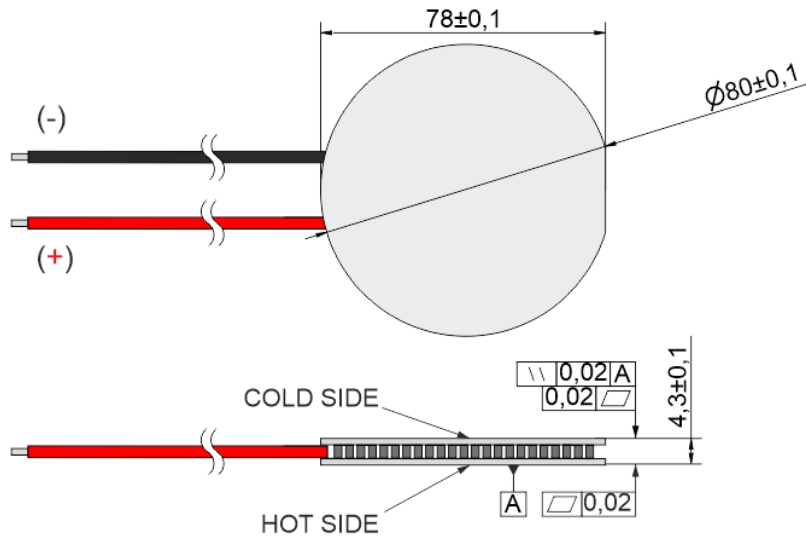
TECB-104-192-(18-4-39)-80-71



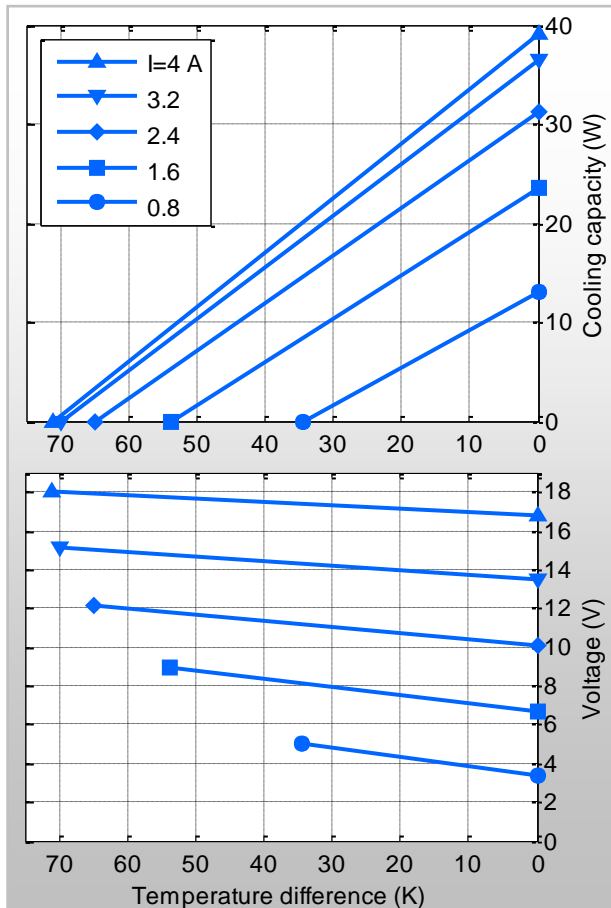
Performance specifications

Hot side temperature T_h (°C)	25	50
ΔT_{max} (°C)	71	81.4
Q_{max} (Watts)	39	43.4
I_{max} (Amps)	4	4
V_{max} (Volts)	18	20.4
Module resistance (Ohms)	4.2	4.7

Drawing



Performance Graphs at $T_h=25^\circ\text{C}$



Performance Graphs at $T_h=50^\circ\text{C}$

