



ENGINEERING & PRODUCTION

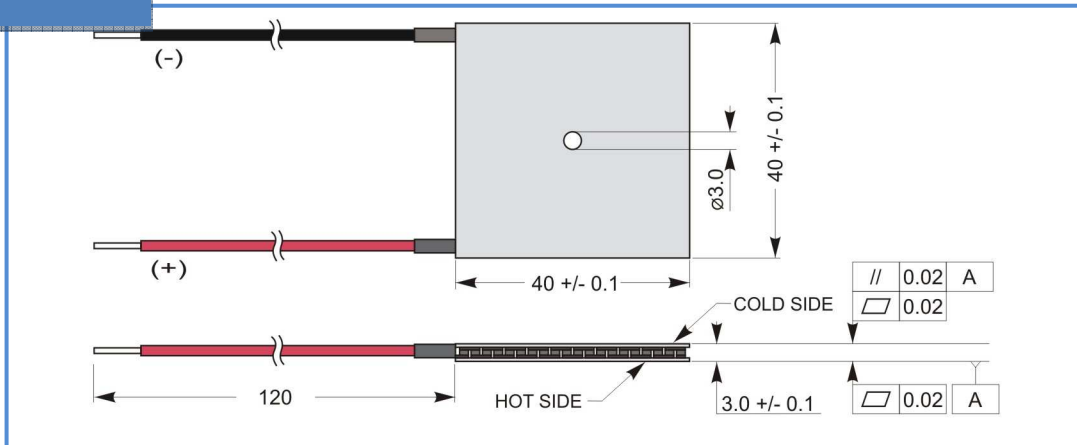
Thermoelectric Cooling Module

TECB-15-15-(24.7-11.4-173)-40-69-CH

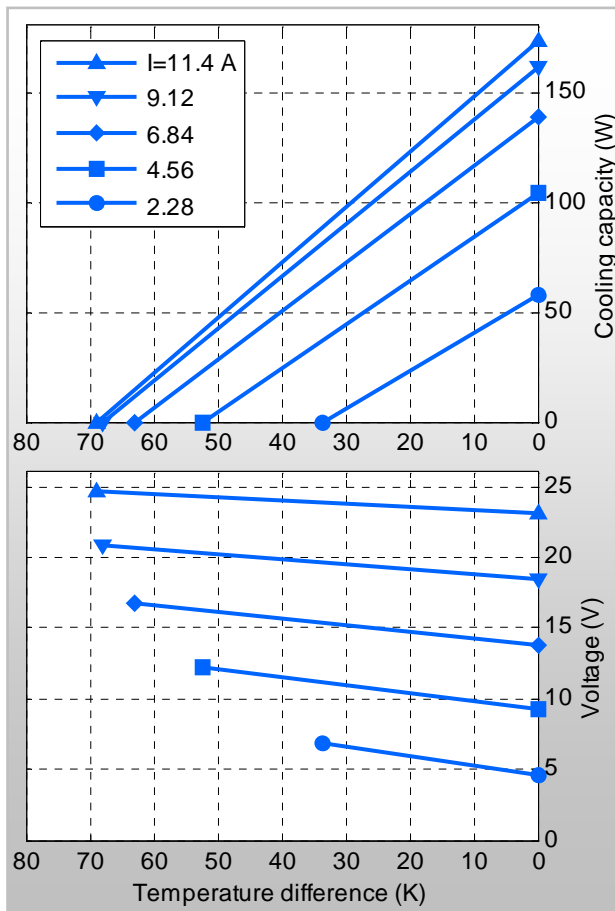


Performance specifications		
Hot side temperature Th (°C)	27	50
ΔT_{max} (°C)	69	79.1
Qmax (Watts)	173	192.5
I _{max} (Amps)	11.4	11.4
V _{max} (Volts)	24.7	28
Module resistance (Ohms)	1.55	1.67

Drawing



Performance Graphs at Th=25°C



Performance Graphs at Th=50°C

