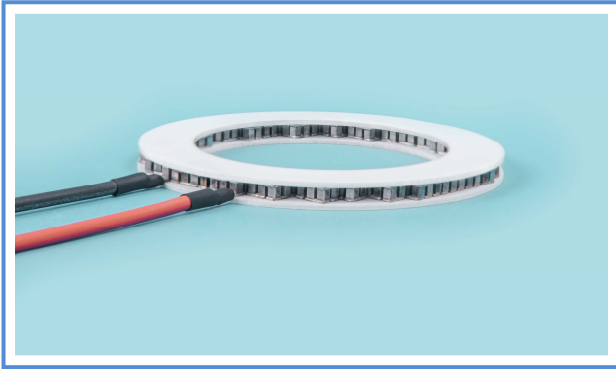




ENGINEERING & PRODUCTION

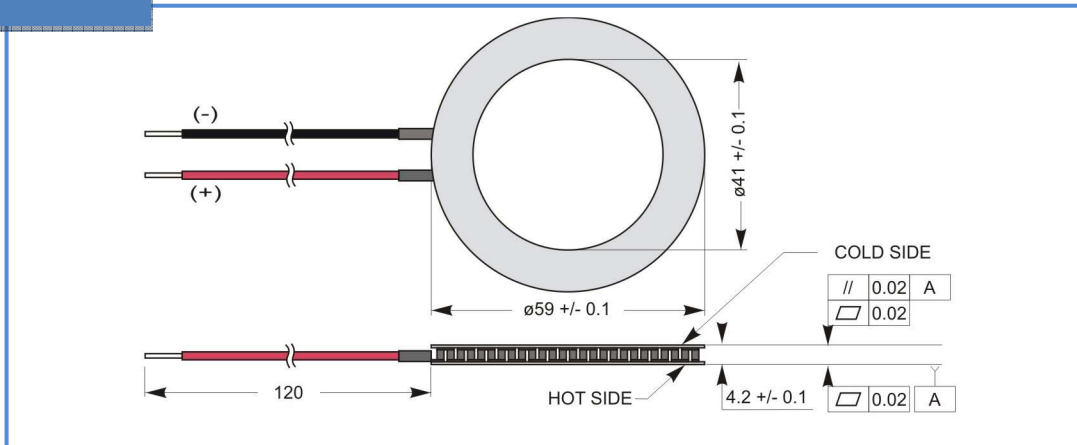
Thermoelectric Cooling Module

TECB-52-114-(15.2-6-50)-59/41-70-RCH-S

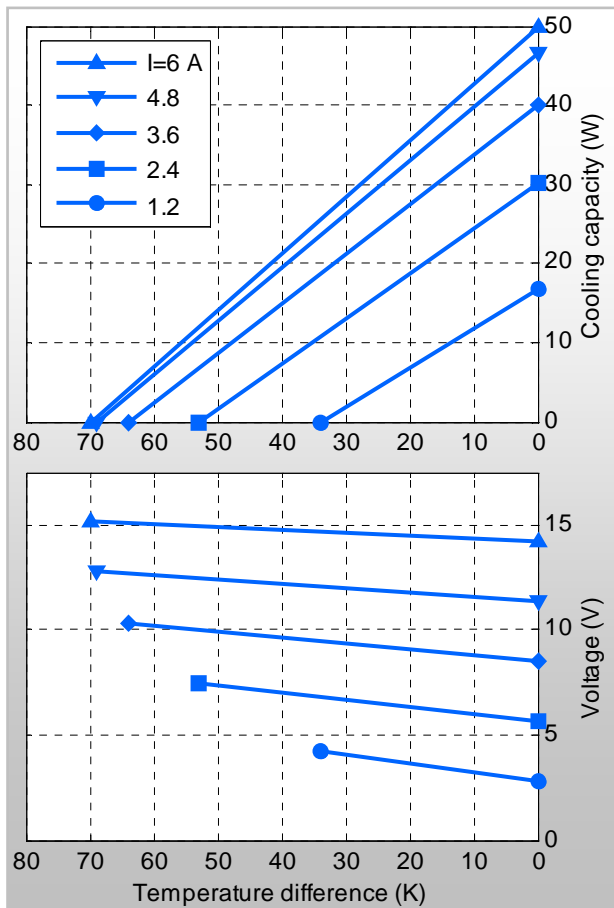


Performance specifications		
Hot side temperature Th (°C)	27	50
ΔT_{max} (°C)	70	80.2
Qmax (Watts)	50	55.7
I _{max} (Amps)	6	6
V _{max} (Volts)	15.2	17.2
Module resistance (Ohms)	2.1	2.27

Drawing



Performance Graphs at Th=25°C



Performance Graphs at Th=50°C

