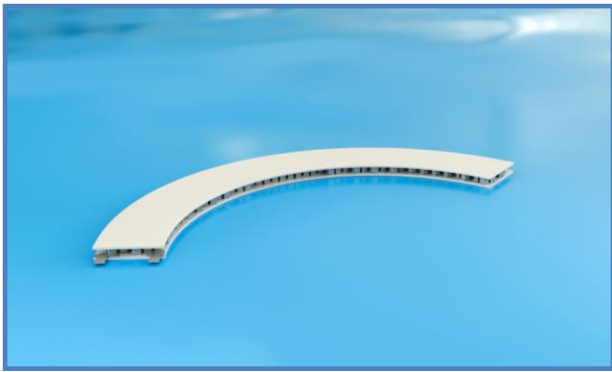




ENGINEERING & PRODUCTION

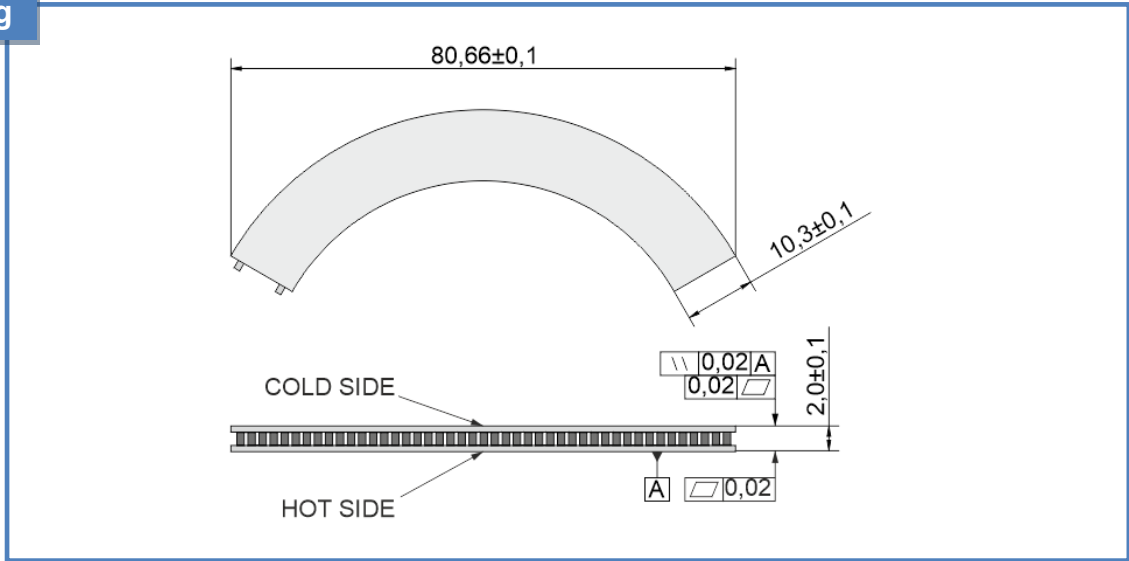
Thermoelectric Cooling Module

TECB-96-185-(19-8.5-82)-100-110-SS

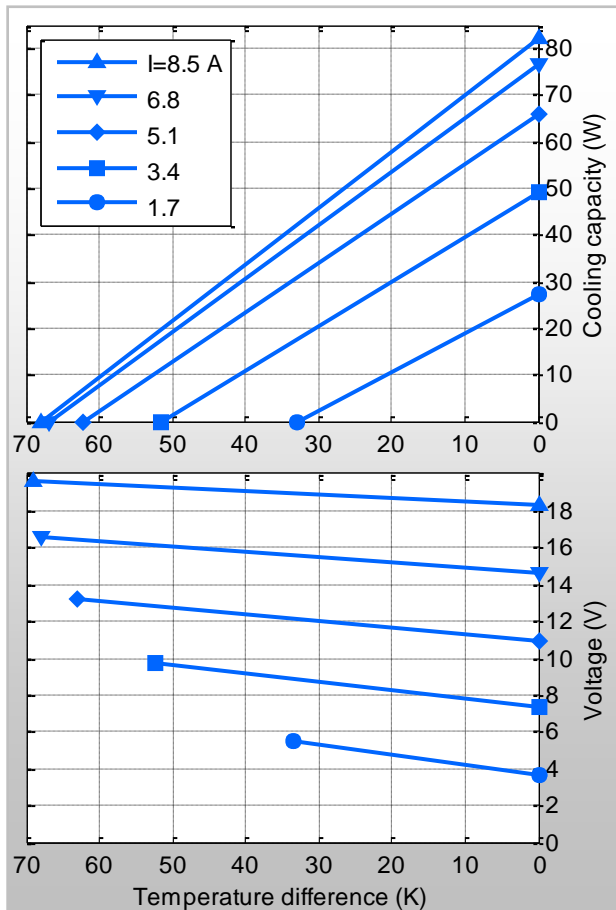


Performance specifications		
Hot side temperature T_h (°C)	25	50
ΔT_{max} (°C)	68	77.9
Q_{max} (Watts)	82	91.3
I_{max} (Amps)	8.5	8.5
V_{max} (Volts)	19.0	21.5
Module resistance (Ohms)	2.0	2.3

Drawing



Performance Graphs at $T_h=25^\circ\text{C}$



Performance Graphs at $T_h=50^\circ\text{C}$

