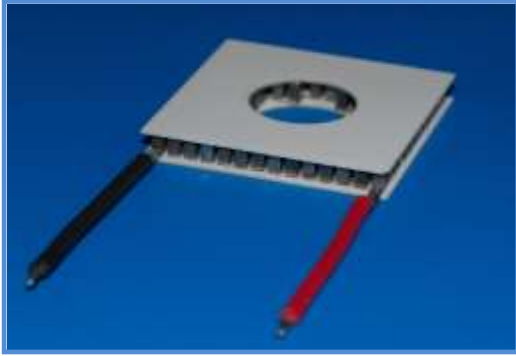




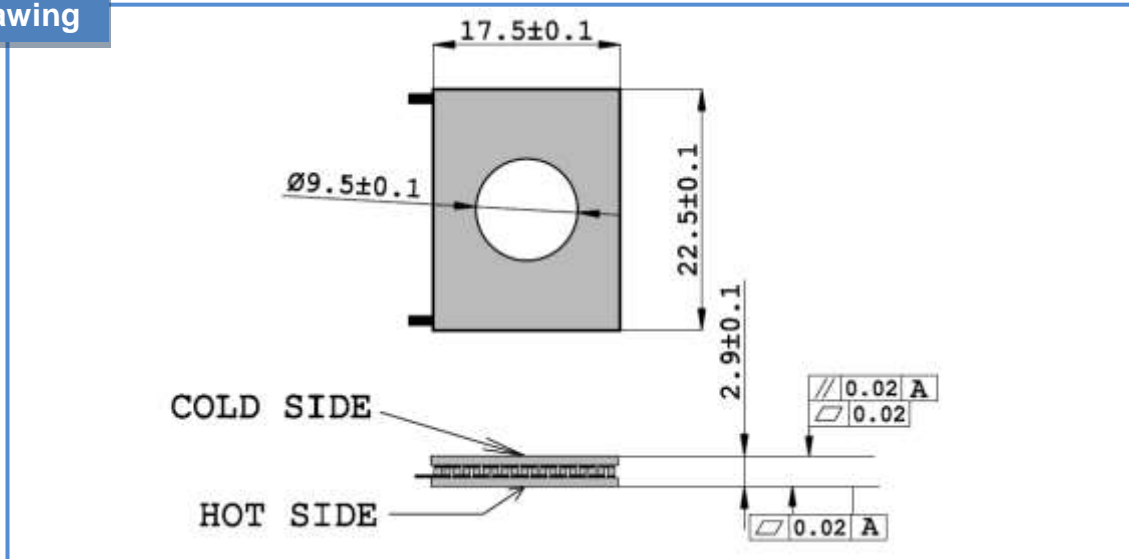
ENGINEERING & PRODUCTION



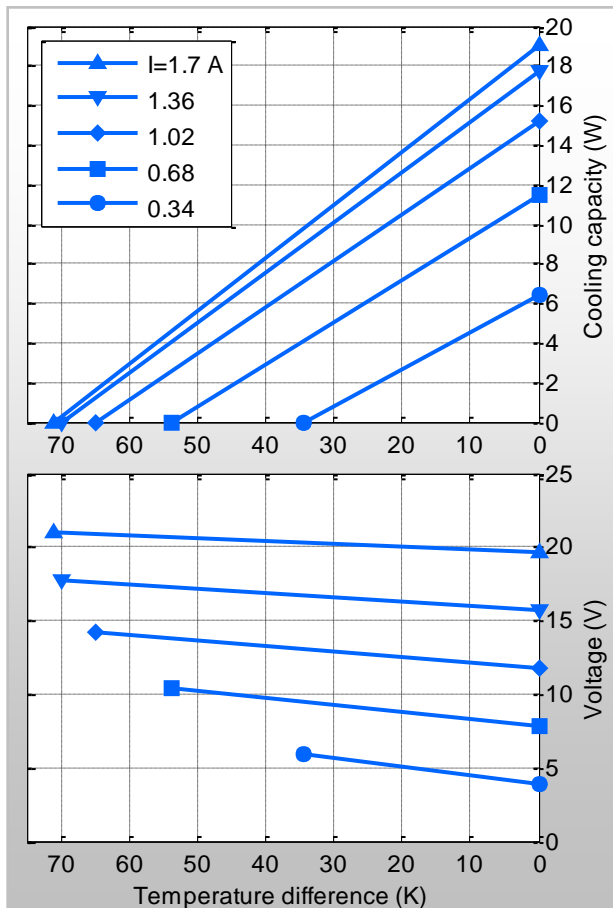
Thermoelectric Cooling Module TECB-119-210-(21-1.7-19)-17.5-22.5-71

Performance specifications		
Hot side temperature Th (°C)	25	50
ΔT_{max} (°C)	71	81.4
Qmax (Watts)	19	21
I _{max} (Amps)	1.7	1.7
V _{max} (Volts)	21	23.8
Module resistance (Ohms)	11.5	13

Drawing



Performance Graphs at Th=25°C



Performance Graphs at Th=50°C

