



ENGINEERING & PRODUCTION

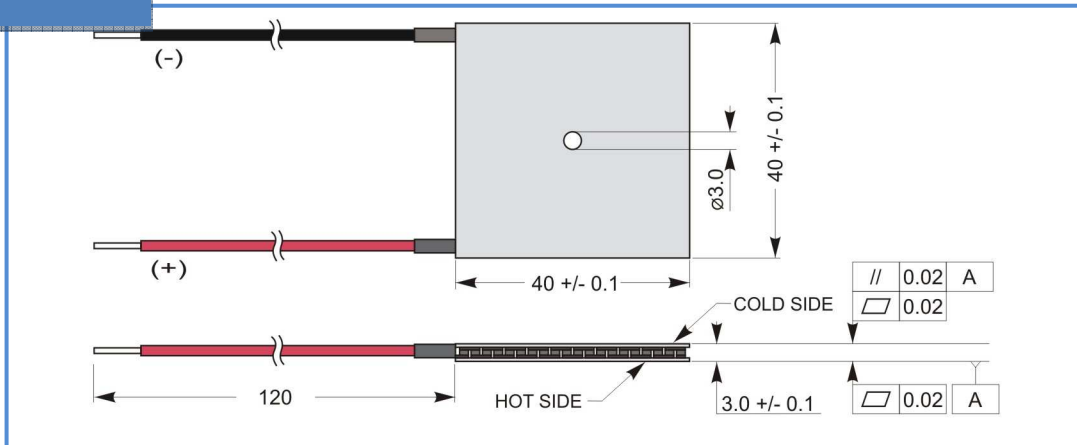
# Thermoelectric Cooling Module

## TECB-15-15-(24.7-11.4-173)-40-69-CH

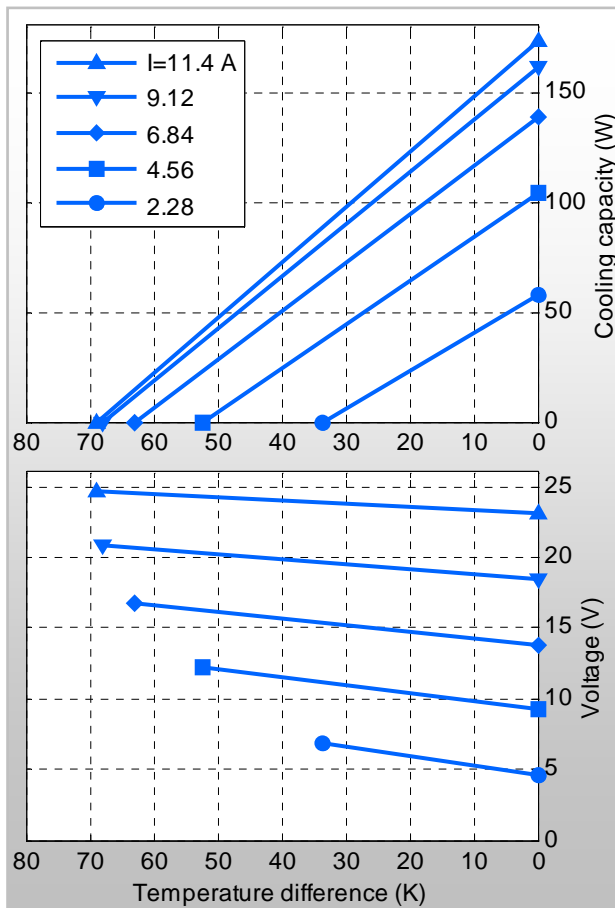


| Performance specifications   |      |       |
|------------------------------|------|-------|
| Hot side temperature Th (°C) | 27   | 50    |
| $\Delta T_{max}$ (°C)        | 69   | 79.1  |
| Qmax (Watts)                 | 173  | 192.5 |
| I <sub>max</sub> (Amps)      | 11.4 | 11.4  |
| V <sub>max</sub> (Volts)     | 24.7 | 28    |
| Module resistance (Ohms)     | 1.55 | 1.67  |

### Drawing



### Performance Graphs at Th=25°C



### Performance Graphs at Th=50°C

