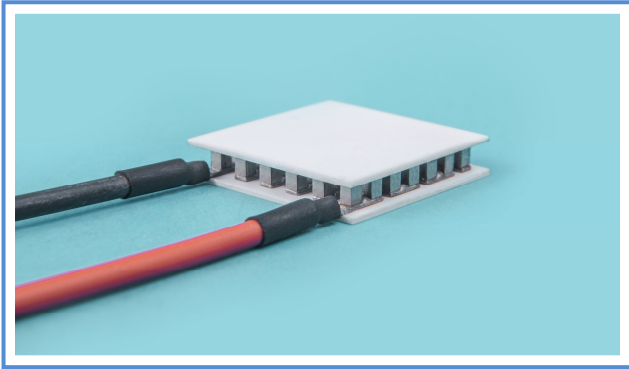




ENGINEERING & PRODUCTION

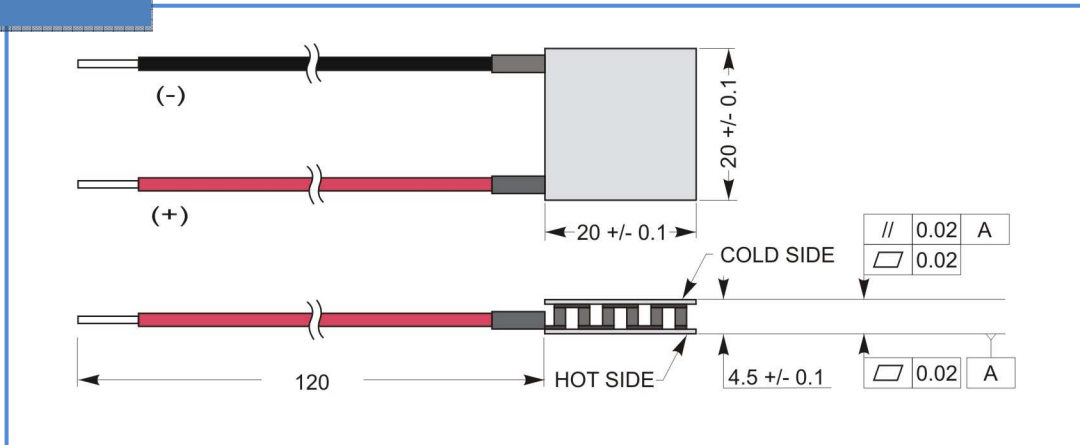
# Thermoelectric Cooling Module

**TECB-28-69-(2.5-4.4-6.0)-20-71**

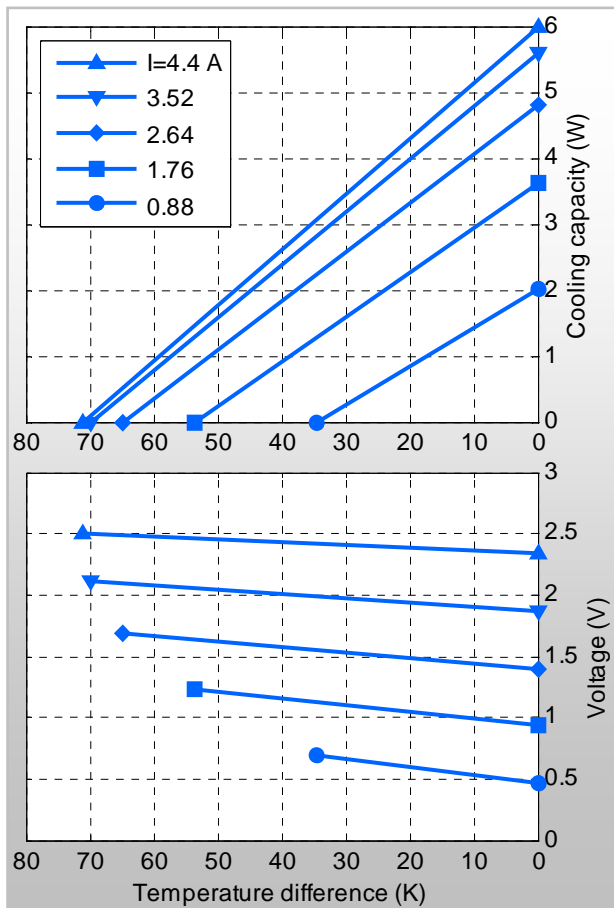


Performance specifications		
Hot side temperature Th (°C)	27	50
$\Delta T_{max}$ (°C)	71	81.4
Qmax (Watts)	6	6.7
I <sub>max</sub> (Amps)	4.4	4.4
V <sub>max</sub> (Volts)	2.5	2.8
Module resistance (Ohms)	0.44	0.475

## Drawing



## Performance Graphs at Th=25°C



## Performance Graphs at Th=50°C

