



ENGINEERING & PRODUCTION

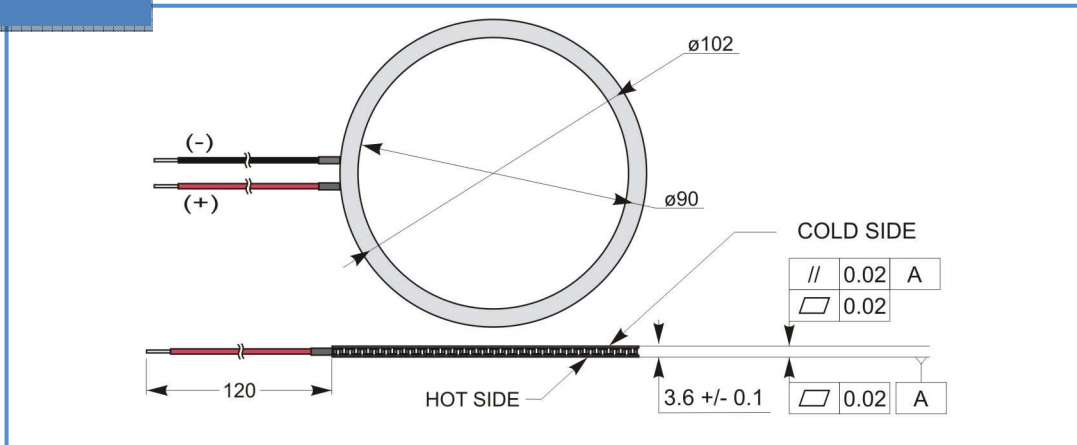
Thermoelectric Cooling Module

TECB-30-31-(13.9-7-59)-102-69-RCH

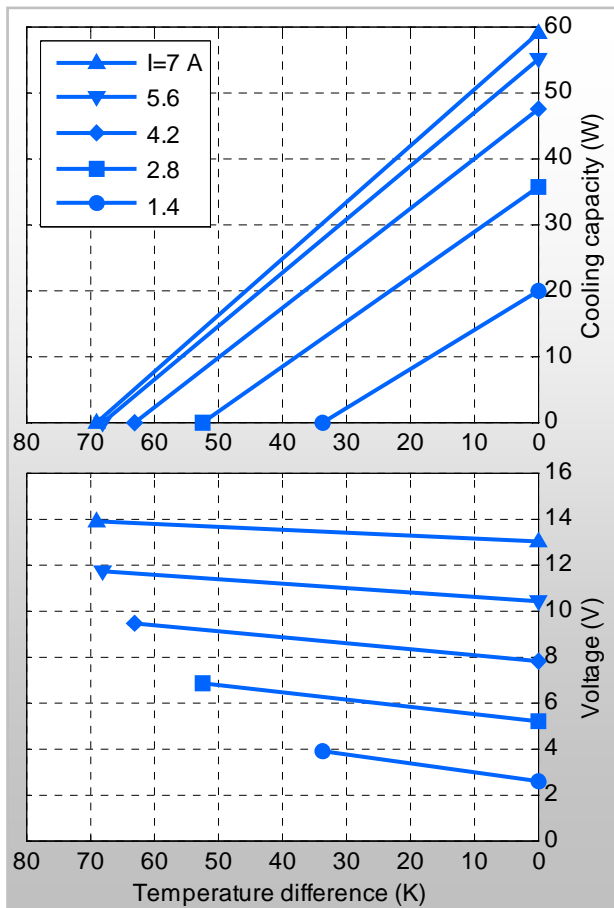


Performance specifications		
Hot side temperature Th (°C)	27	50
ΔT_{max} (°C)	69	79.1
Qmax (Watts)	59	65.7
I _{max} (Amps)	7	7
V _{max} (Volts)	13.9	15.7
Module resistance (Ohms)	1.4	1.5

Drawing



Performance Graphs at Th=25°C



Performance Graphs at Th=50°C

