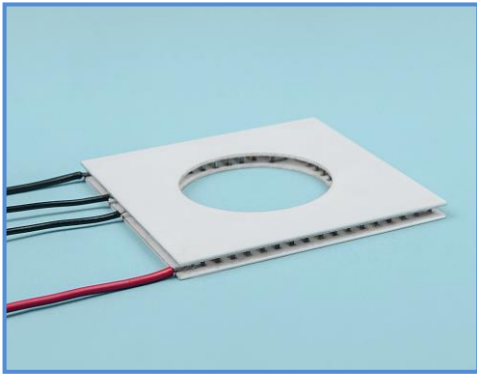




ENGINEERING & PRODUCTION



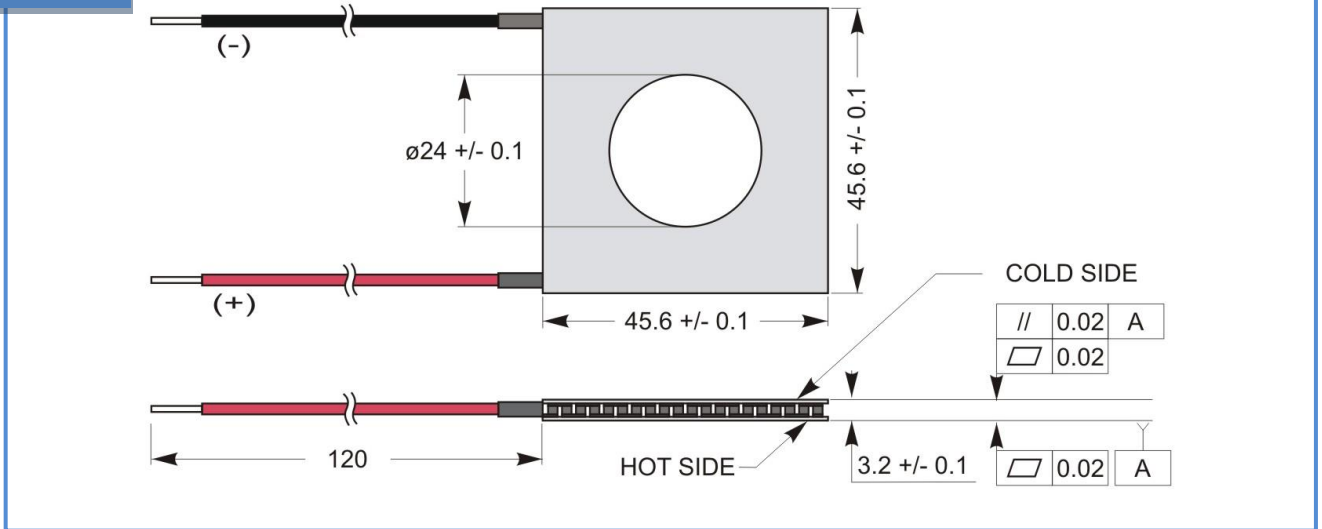
Thermoelectric Cooling Module

TECB-66-156-3-(14.4-1.2-10)-46-69-CH

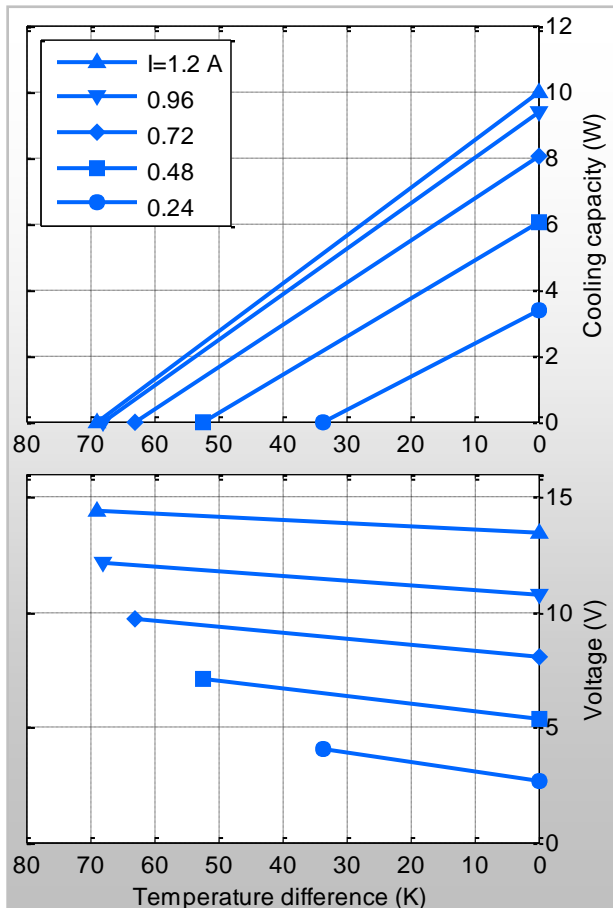
Performance specifications

Hot side temperature T_h (°C)	27	50
ΔT_{max} (°C)	69	79
Q_{max} (Watts)	10	11.1
I_{max} (Amps)	1.2	1.2
V_{max} (Volts)	14.4	16.3
Module resistance (Ohms)	10	10.8

Drawing



Performance Graphs at $T_h=25^\circ\text{C}$



Performance Graphs at $T_h=50^\circ\text{C}$

