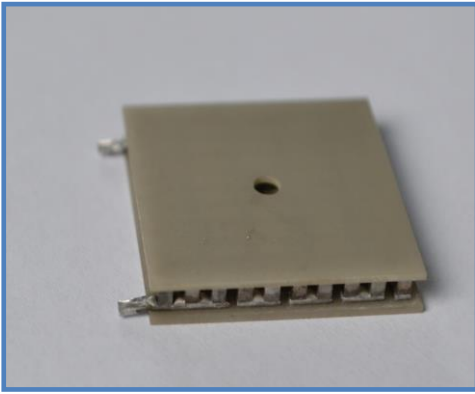




ENGINEERING & PRODUCTION

Thermoelectric Cooling Module

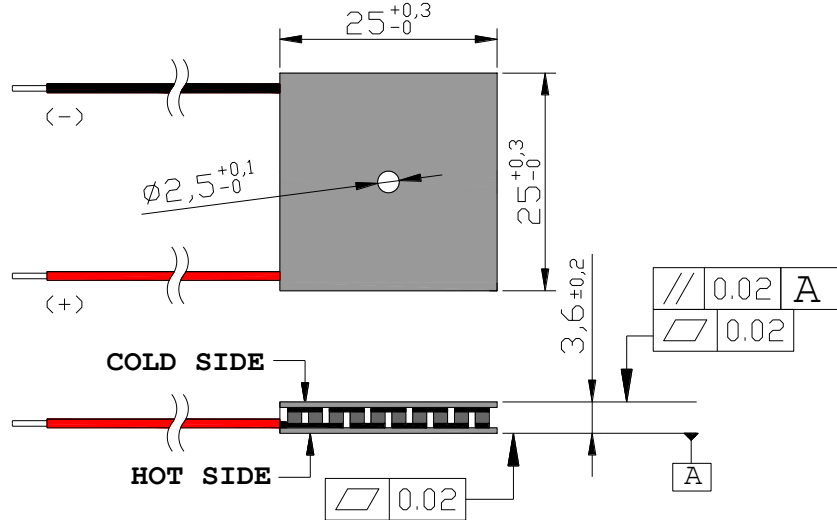
TECB-83-169-3-(5.4-6.0-18)-25-70



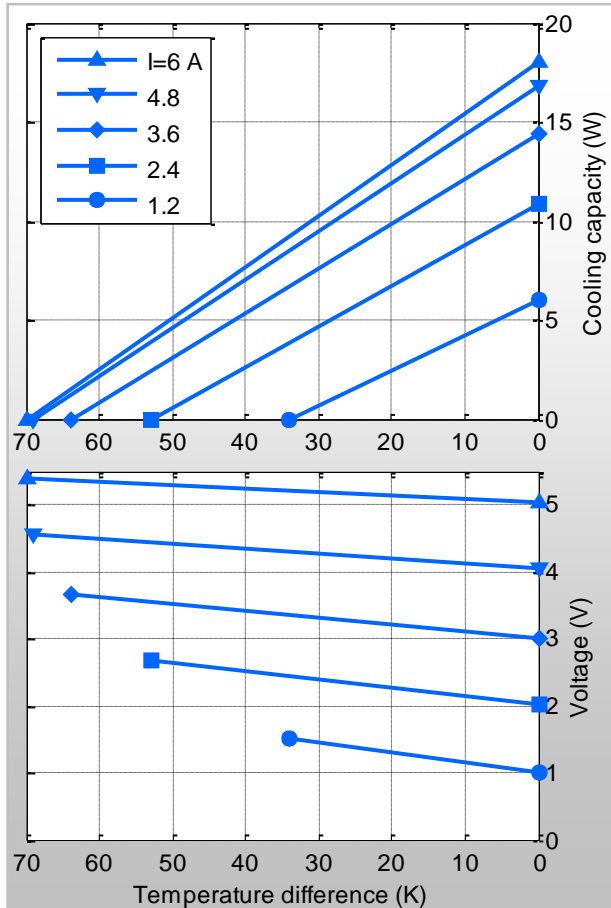
Performance specifications

Hot side temperature Th (°C)	25	50
ΔT_{max} (°C)	70	80.2
Qmax (Watts)	18	20
I _{max} (Amps)	6	6
V _{max} (Volts)	5.4	6.1
Module resistance (Ohms)	0.75	0.81

Drawing



Performance Graphs at Th=25°C



Performance Graphs at Th=50°C

