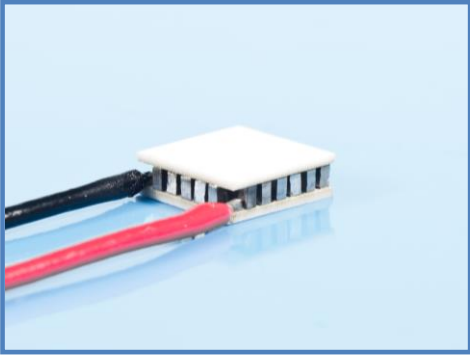




ENGINEERING & PRODUCTION

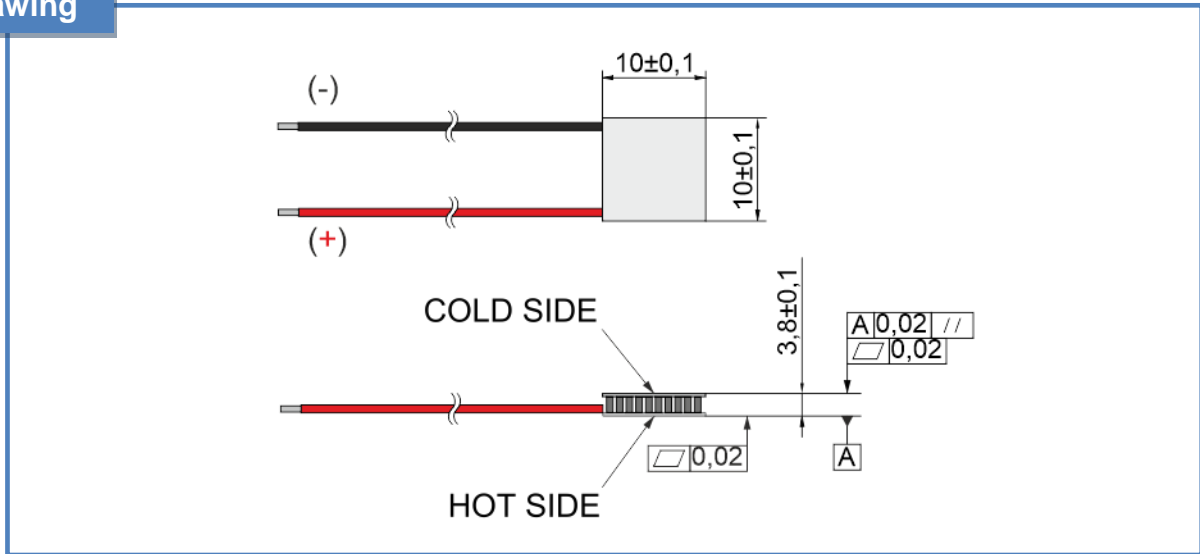


Thermoelectric Cooling Module

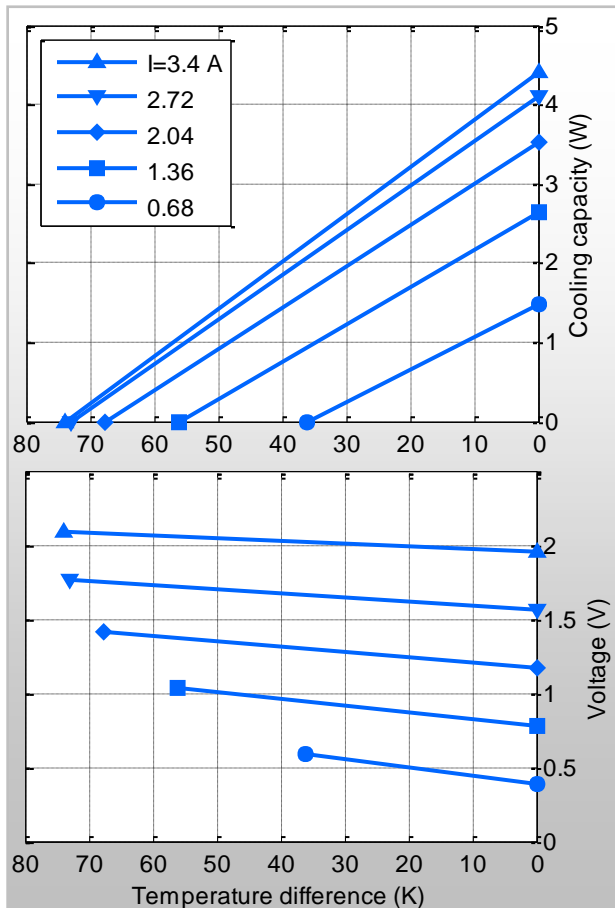
CBM-106-1-(2.1-3.4-4.4)-74

Performance specifications		
Hot side temperature Th (°C)	25	50
ΔT_{max} (°C)	74	84.8
Qmax (Watts)	4.4	4.9
I _{max} (Amps)	3.4	3.4
V _{max} (Volts)	2.1	2.4
Module resistance (Ohms)	0.58	0.65

Drawing



Performance Graphs at Th=25°C



Performance Graphs at Th=50°C

