



ENGINEERING & PRODUCTION

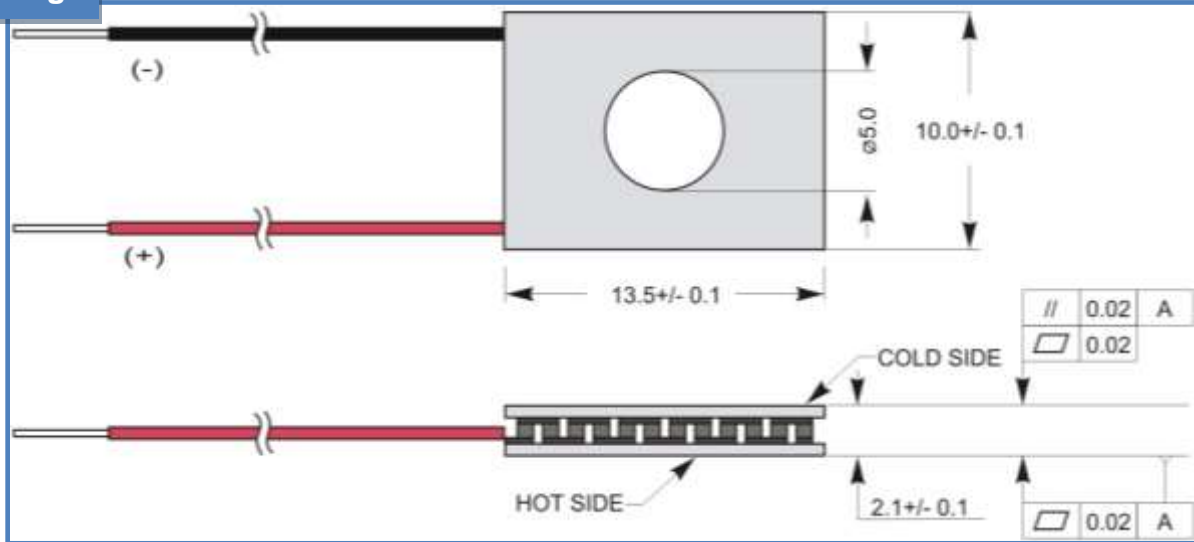
# Thermoelectric Cooling Module

**CBM-80-1-(4.7-1.8-5)-13.5/10-71**

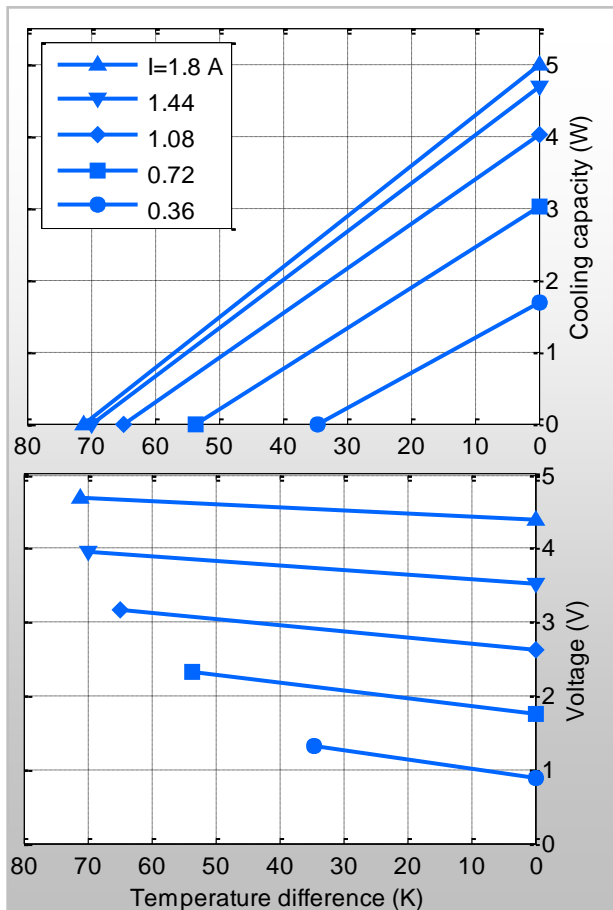


Performance specifications		
Hot side temperature Th (°C)	27	50
$\Delta T_{max}$ (°C)	71	81.4
Qmax (Watts)	5	5.57
I <sub>max</sub> (Amps)	1.8	1.8
V <sub>max</sub> (Volts)	4.7	5.33
Module resistance (Ohms)	2.2	2.38

## Drawing



## Performance Graphs at Th=25°C



## Performance Graphs at Th=50°C

